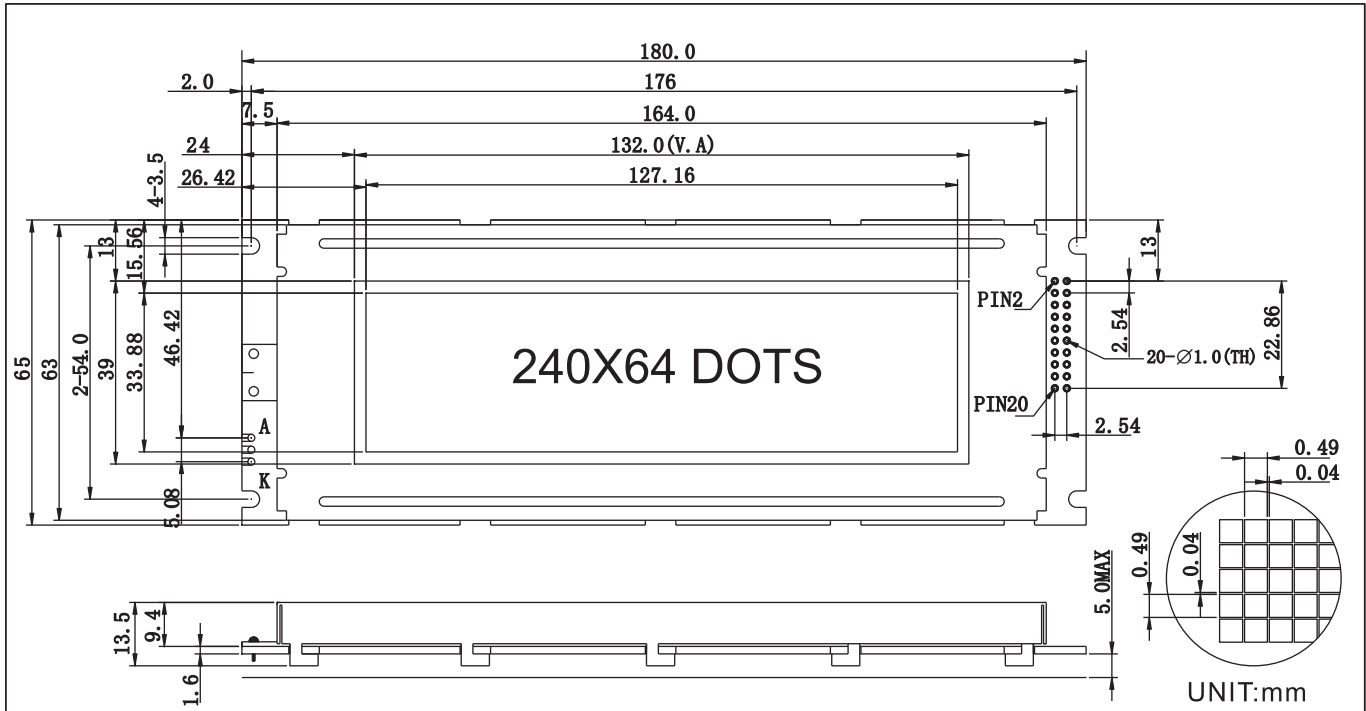




CM24064-2 240 X 64 dots

GOLDEN PALM ELECTRONIC CO., LTD.
 Address: 肇庆市建设四路13号天宁广场B幢13、14、15层
 Tel: 86-758-2317153 2317143 2317023
 Fax: 86-758-2317023 Hotline: 2317153
 Postcode: 526040
 E-mail: ocular@gpt.com.cn syl@gptcm.cn
 http://www.gptcm.cn



ABSOLUTE MAXIMUM RATINGS

Item	Symbol	Min.	Max.	Unit
Supply Voltage(Logic)	V _{DD}	-0.3	7.0	V
Supply Voltage(LCD)	V _O	--	18.0	V
Input Voltage	V _I	-0.3	V _{DD} +0.3	V
Operating Temp.	T _{opr}	-20	70	°C
Storage Temp.	T _{stg}	-30	80	°C

MECHANICAL DATA

Item	Nominal Dimensions	Unit
Module Size(W X H X T)	180.0 X 65.0 X 13.5	mm
Viewing Area(W X H)	132.0 X 39.0	mm
Dot Pitch(W X H)	0.53 X 0.53	mm
Dot Size(W X H)	0.49 X 0.49	mm

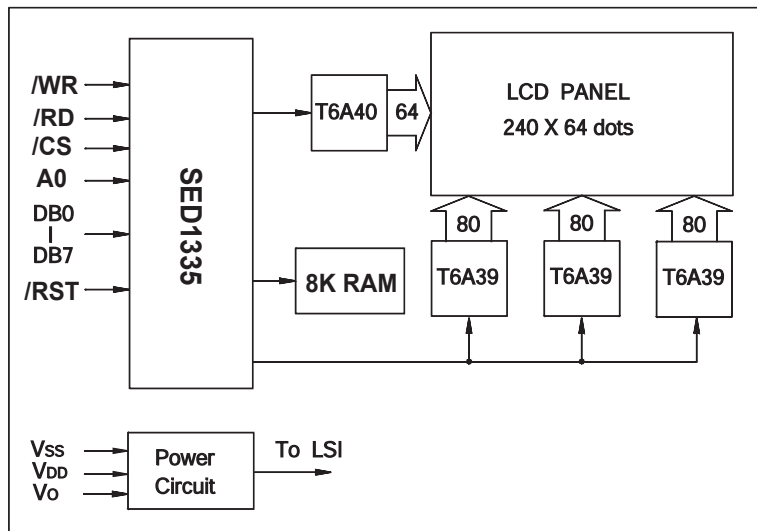
ELECTRICAL CHARACTERISTICS (V_{DD}=5V±0.25V)

Item	Symbol	Test Condition	Min.	Typ.	Max.	Unit
Input High Voltage	V _{IH}	--	V _{DD} -2.2	--	V _{DD}	V
Input Low Voltage	V _{IL}	--	0	--	0.8	V
Output High Voltage	V _{OH}	--	V _{DD} -0.3	--	V _{DD}	V
Output Low Voltage	V _{OL}	--	0	--	0.3	V
Supply Current	I _{DD}	V _{DD} =5.0V fosc=3.0MHz	--	--	6.0	mA

PIN CONNECTIONS

Pin	Symbol	Level	Function
1	V _{DD}	--	Supply Voltage for Logic (+5V)
2	V _{SS}	--	GND (0V)
3	NC	--	
4	/RST	L	Input for reset signal
5	/CS	L	Chip select signal
6	AO	H/L	Data type select
7	/WR	L	Write signal input
8	RD	L	Read signal input
9	DB0	H/L	DATA I/O
10	DB1	H/L	
11	DB2	H/L	
12	DB3	H/L	
13	DB4	H/L	
14	DB5	H/L	
15	DB6	H/L	
16	DB7	H/L	
17	SEL1	H/L	H:8080系列 L:6800系列
18	V _O	--	Power supply for LCD
19	VEE	--	Adjustment contrast input
20	NC	--	

BLOCK DIAGRAM



LED BACKLIGHT SPECIFICATIONS (Ta=25 °C)

Item	Symbol	Typ.	Max.	Unit
Forward Voltage	V _f	4.1	4.3	V
Forward Current	I _f	220/630	--	mA
Emission Wave Length	λ _p	568	--	nm